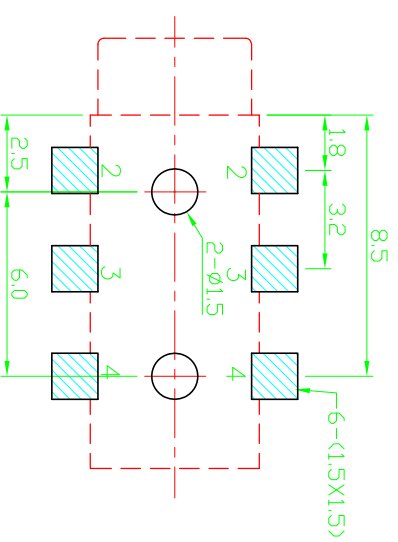
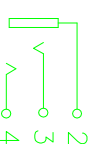


P.C.B LAYOUT
TOP VIEW



SCHEMATIC



SPECIFICATION

- 1.Rating : DC 30V 0.5A
- 2.Contact resistance : $\leq 0.03\Omega$
- 3.Insulation resistance : $\geq 100M\Omega$ (DC250V)
- 4.Withstand voltage : 500VAC
- 5.Insertion and extraction force : 3-20N
- 6.life test : 5,000 cycles

NO.	DESCRIPTION	QTY	MATERIAL	PLATING
4	3#CONTACT FOOT	1	BRONZE	Ag-Plating
3	2#CONTACT FOOT	1	SUS301	Ag-Plating
2	1#CONTACT FOOT	1	SUS301	Ag-Plating
1	HOUSING	1	PA9T	

UNIT: MM	TYPE: PHONE JACK	MODEL NO: PJ3013D	PAPER NO: A4	PAGE 1 OF 1
DESIGNER BY:			TOLERANCE ANGLES	SCALE
CHECK BY:			±0.15	±1.5°
APPROVED BY:			4:1	1