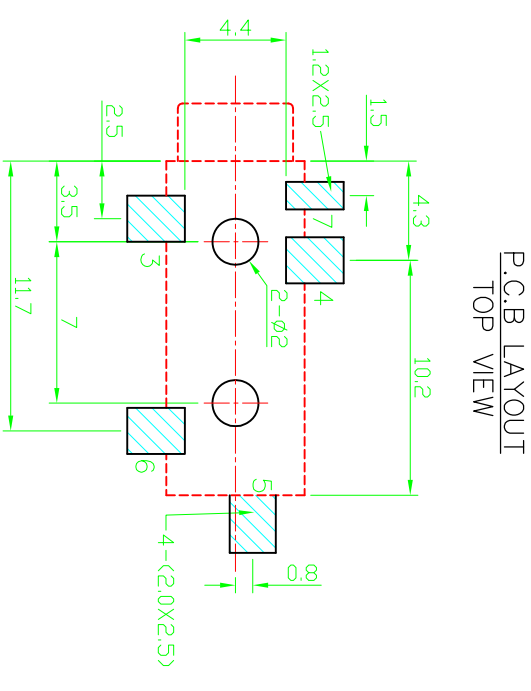
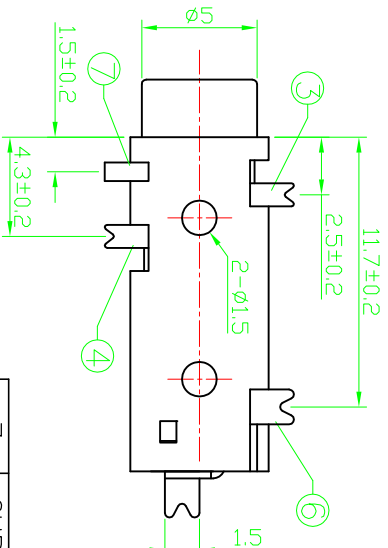


- SPECIFICATION
1. Rating : DC 30V 0.5A
 2. Contact resistance : $\leq 0.03\Omega$
 3. Insulation resistance : $\geq 100M\Omega$ (DC250V)
 4. Withstand voltage : 500VAC
 5. Insertion and extraction force : 3-20N
 6. Life test : 5,000 cycles



SCHEMATIC

| | | | | | |
|---------|-----------|-----------|-----------|-----------|-------------|
| PJ30280 | PJ30280-1 | PJ30280-2 | PJ30280-3 | PJ30280-4 | PJ30280-5/6 |
| | | | | | |

| | | |
|---|------------|--------------|
| UNLESS OTHERWISE SPECIFIED, REFER TO DIMENSIONS ARE | | |
| -x | ±0.30 | |
| -xx | ±0.20 | |
| -xxx | ±0.10 | |
| -x° | ±3.0° | |
| -xx° | ±2.0° | |
| -xxx° | ±1.0° | |
| UNIT: MM | TYPE: | MODEL NO: |
| | PHONE JACK | PJ30280-X |
| DESIGNER BY: | | PAPER NO: A4 |
| CHECK BY: | | SCALE 3:1 |
| APPROVED BY: | | PAGE 1 OF 1 |
| 承永實業有限公司 | | |
| BLUE SOURCES ELECTRONICS CO.,LTD. | | |

| NO. | DESCRIPTION | QTY | MATERIAL | PLATING |
|-----|----------------|-----|-----------------|------------|
| 7 | CURVE PIECE | 1 | BRASS | Ag-Plating |
| 6 | SPRING | 1 | PHOSPHOR BRONZE | Ag-Plating |
| 5 | CURVE PIECE | 1 | BRASS | Ag-Plating |
| 4 | 2#CONTACT FOOT | 1 | SUS301 | Ag-Plating |
| 3 | 1#CONTACT FOOT | 1 | SUS301 | Ag-Plating |
| 2 | COVER | 1 | PA9T | |
| 1 | HOUSING | 1 | PA9T | |