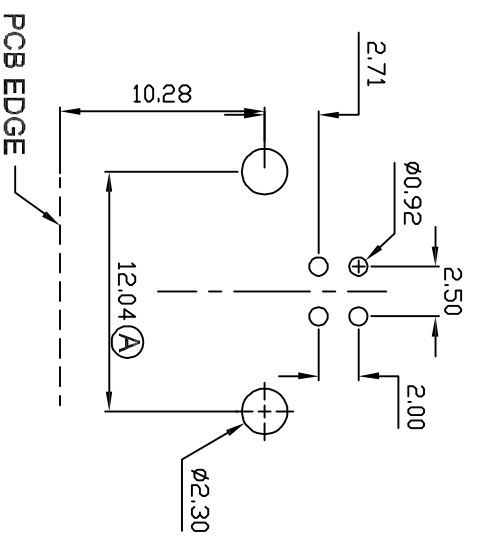
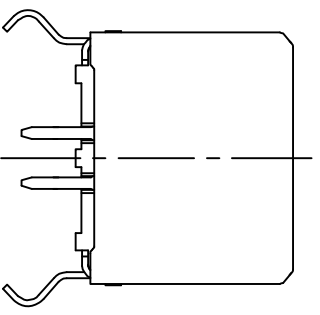
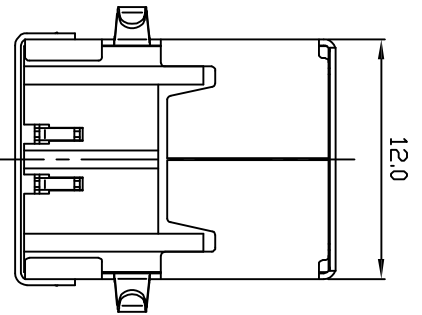
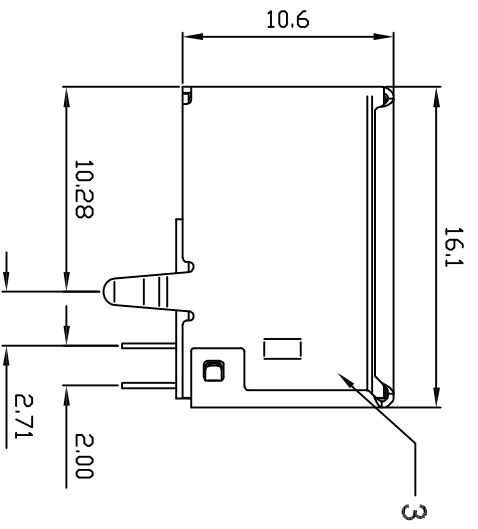
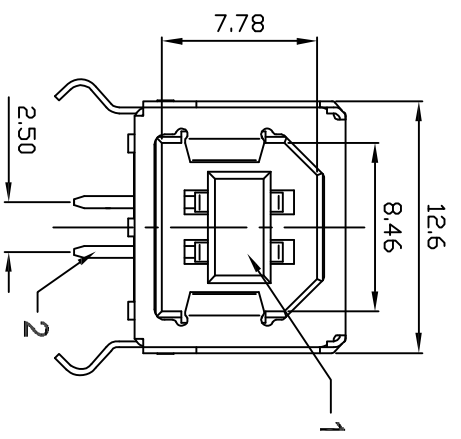


記號	設定內容	日期	修改	核准
MARK	MODIFICATION	DATE	DATE	APPROVE



SUGGESTED PCB LAYOUT
TOP VIEW

NO.	NAME	MATERIAL
1	HOUSING	PBT / Nylon
2	PIN TERM.	PHOS. BRONZE
3	SHELL	BRASS

UNLESS OTHERWISE SPECIFIED TOLERANCES ARE:		UNIT: MM	TYPE:	MODEL NO:	PAPER NO: A4	PAGE 1 OF 1	
x	±0.30		USB B type DIP 彎脚	USB-BF0411-XX		SCALE	VER
xxx	±0.20						
xxx	±0.10						
x°	±3.0°		DESIGNER BY:				
xx°	±2.0°		CHECK BY:				
xxx°	±1.0°		APPROVED BY:				
承永實業有限公司 BLUE SOURCES ELECTRONICS CO.,LTD.							